

Titan P1-SL905-135 SOLID-STATE HIGH RESOLUTION LIDAR

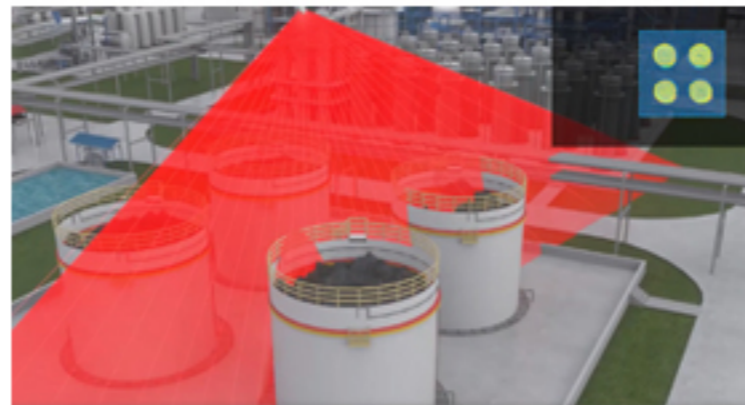
Titan P1-SL905-135 is a single-line LiDAR with a horizontal field of view of 135°. It is mainly suitable for high-speed motion or rapid detection application scenarios.



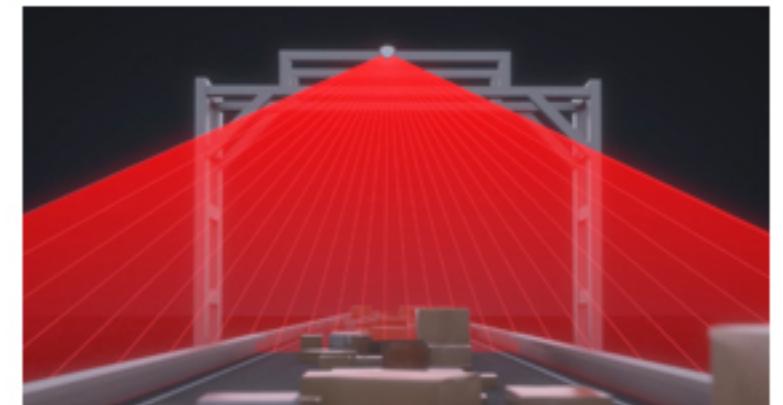
Application



Truck Volume Measurement

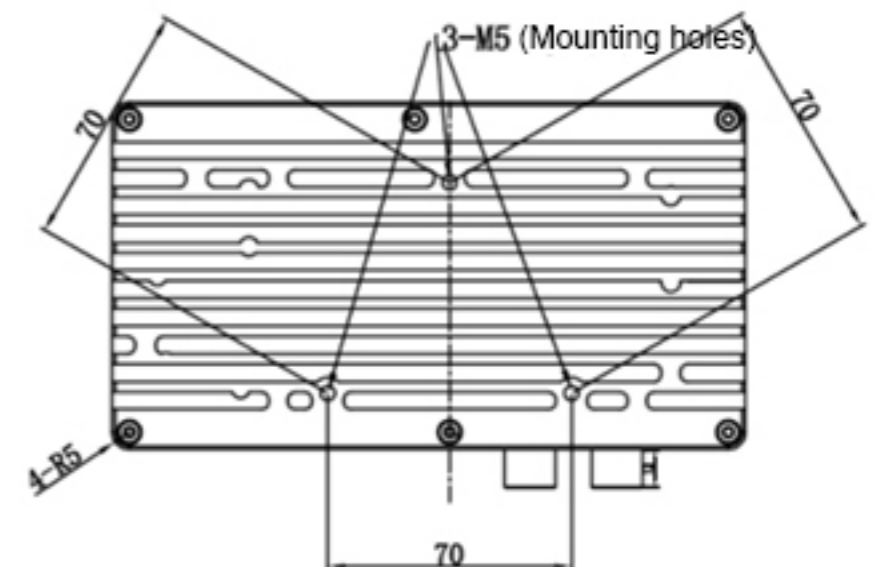
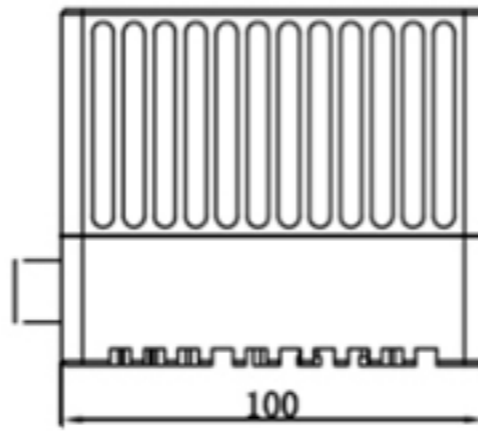
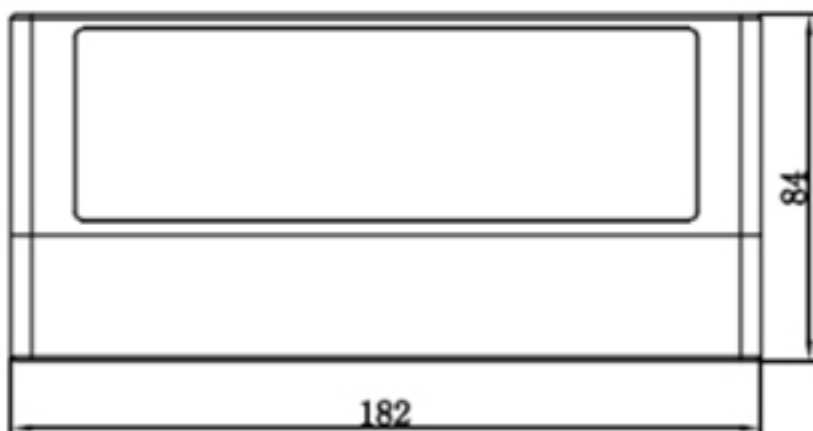


Stockpile Volume Measurement



Industrial Machine Vision (Parcel Sorting)

Product Size



Specifications

Sensor Parameters

Method	ToF Measurement of Distance
Distance	Up to 30m @ 10% Reflectance, 1m Min., Up to 80m @ 90% Reflectance, 1m Min.,
Return Mode	Multiple Returns
Resolution	H3072
Field of View	135°
Angular Resolution	0.044° (40Hz and below)
Refresh Rate	1,2,5,10,20,40,80Hz
Repetition Rate	200,000 Points/s (Max.)
Precision	10mm (static@1~10m) ,±25mm (dynamic@1~10m)

Laser Source

Wavelength	905nm
Laser Product Classification	Class 1 Eye-safe
Dynamic Adjustment	Variable Density Scanning

Others

Weight	1.31kg
Dimensions	182mm x 84mm x 100mm
Operating Temperature	-20°C ~ +60°C
Power Consumption	12W (Typical)
Operating Voltage	12-60V
API Interface	4-pin, M12 x 1 connector, A-Coded (power interface) 8-pin, M12 x 1 connector, A-Coded (Gigabit Ethernet interface)
IMU	Optional
Output	SDK Provided to Directly Output Data in PCL Structure
Protection Level	IP67

*Specifications are subject to change without notice. V2.1